

# MT SNP Banska Bystrica Women-52

Competitors

Competitors: 5

#	Name	Grade	Club	1	2	3	4	5	Wins	Pts	Pos
1	Veronika HORAKOVA	?	CZE		7		10	10	3	27	2
2	Zuzana BENDZALOVA	?	SVK					10	1	10	5
3	Laura IGAZ	?	HUN	10	10		10	10	4	40	1
4	Veronika VASILOVA	?	SVK		10				1	10	3
5	Brona SKORNOVA	?	SVK				10		1	10	4

## Matches

Match	White	Blue	Result	Time
1	Veronika VASILOVA 4 5	Brona SKORNOVA	00-10s1	4:17
2	Veronika HORAKOVA 1 2	Zuzana BENDZALOVA	01s1-00s1	4:00
3	Laura IGAZ 3 4	Veronika VASILOVA	10-00	0:43
4	Veronika HORAKOVA 1 5	Brona SKORNOVA	10-00	0:29
5	Zuzana BENDZALOVA 2 3	Laura IGAZ	00-10	0:43
6	Veronika HORAKOVA 1 4	Veronika VASILOVA	10-00	3:08
7	Laura IGAZ 3 5	Brona SKORNOVA	10-00	0:48
8	Zuzana BENDZALOVA 2 4	Veronika VASILOVA	00-10	0:45
9	Veronika HORAKOVA 1 3	Laura IGAZ	00-10	0:50
10	Zuzana BENDZALOVA 2 5	Brona SKORNOVA	10s1-00	1:37

## Results

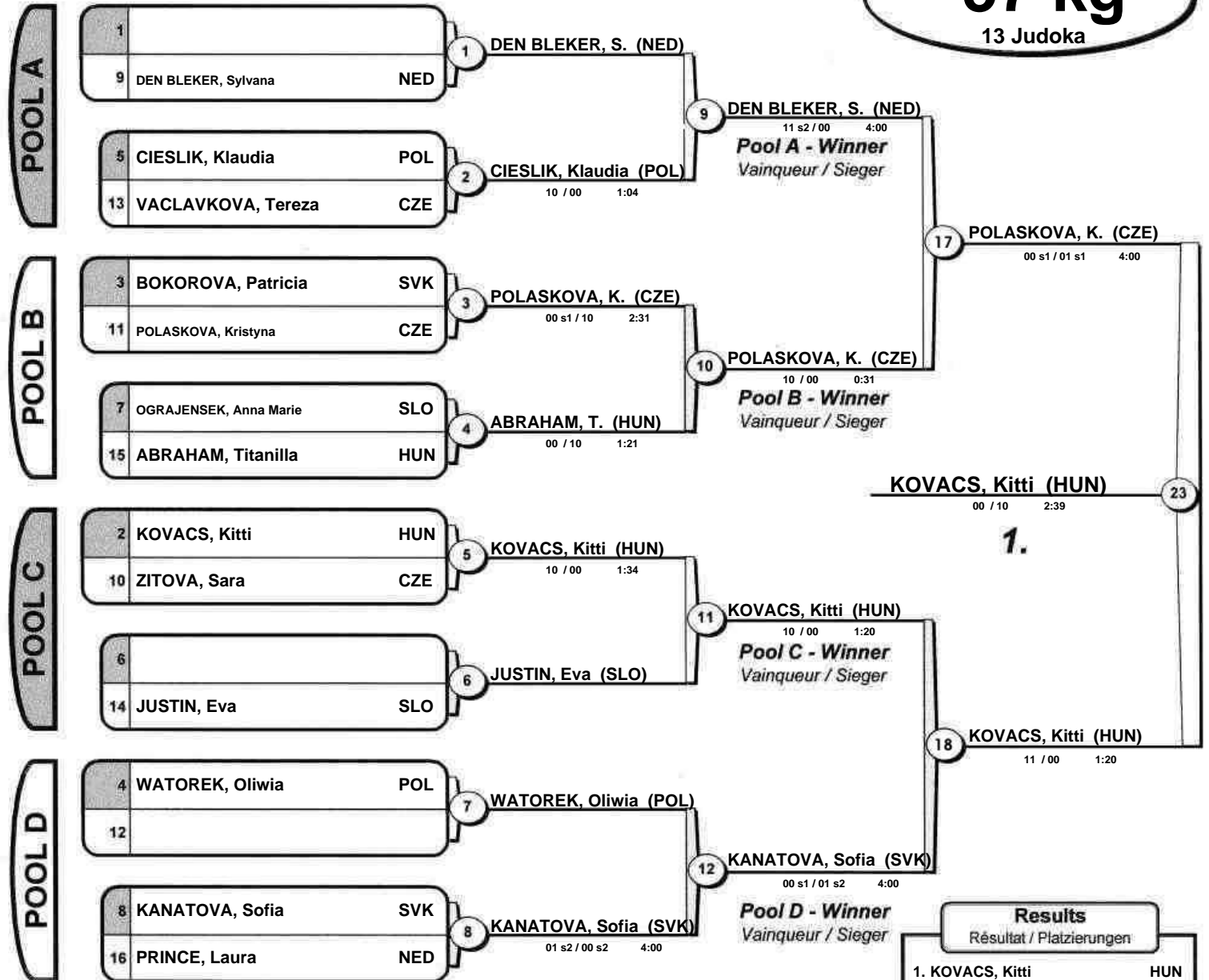
Pos	Name
1	Laura IGAZ, HUN
2	Veronika HORAKOVA, CZE
3	Veronika VASILOVA, SVK
4	Brona SKORNOVA, SVK
5	Zuzana BENDZALOVA, SVK

# International Judo Tournament SNP

Banska Bystrica (SVK), 04 Sep 2021

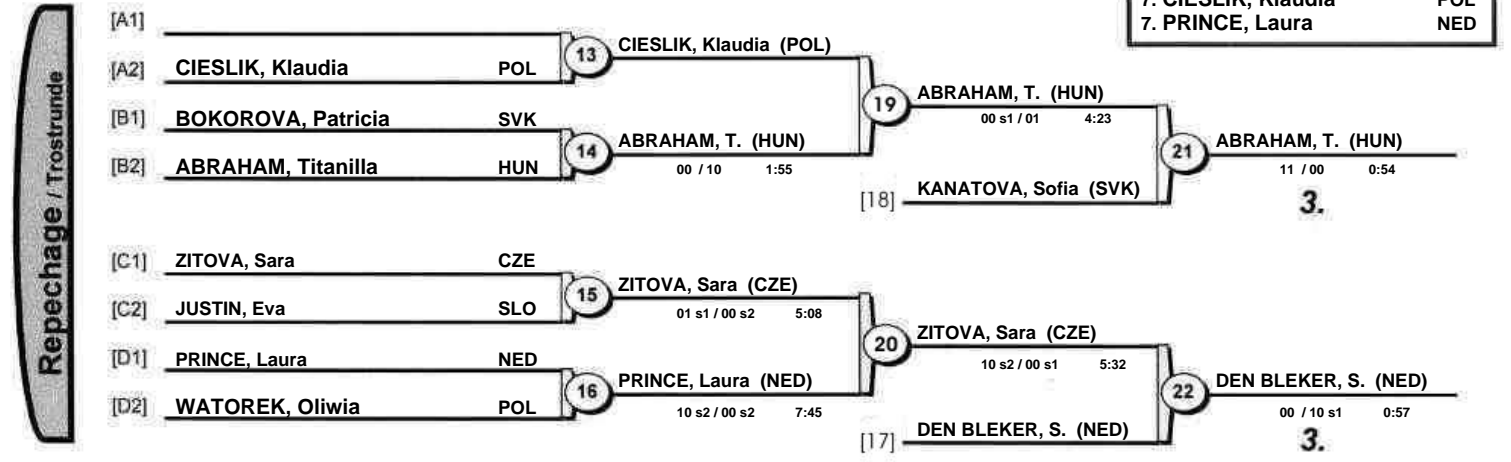
## -57 kg

13 Judoka



**KOVACS, Kitti (HUN)**  
00 / 10 2:39  
**1.**

Results	
Résultat / Platzierungen	
1. KOVACS, Kitti	HUN
2. POLASKOVA, Kristyna	CZE
3. ABRAHAM, Titanilla	HUN
3. DEN BLEKER, Sylvana	NED
5. KANATOVA, Sofia	SVK
5. ZITOVA, Sara	CZE
7. CIESLIK, Klaudia	POL
7. PRINCE, Laura	NED



# MT SNP Banska Bystrica Women-63

## Competitors A

Competitors: 6

#	Name	Grade	Club	1	2	3	Wins	Pts	Pos
1	Aleksandra KONOPKA	?	POL		7		1	7	2
2	Zsofia KUSZTVAN	?	HUN				0	0	3
3	Lia LUDVIK	?	SLO	10	10		2	20	1

## Matches A

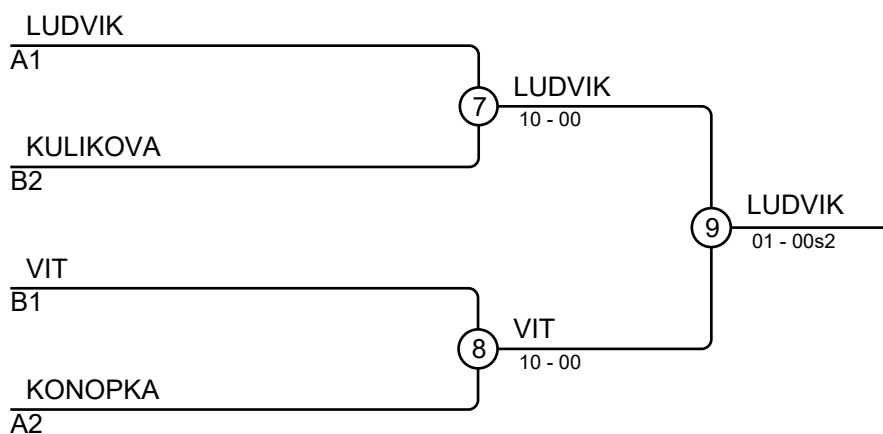
Match	White	Blue	Result	Time
1	Aleksandra KONOPKA 1 2	Zsofia KUSZTVAN	01-00s1	4:00
3	Aleksandra KONOPKA 1 3	Lia LUDVIK	00-10	0:37
5	Zsofia KUSZTVAN 2 3	Lia LUDVIK	00s2-10	1:11

## Competitors B

#	Name	Grade	Club	4	5	6	Wins	Pts	Pos
4	Lili VIT	?	HUN		10	10	2	20	1
5	Julia GAWRON	?	POL				0	0	3
6	Michaela KULIKOVA	?	CZE		10		1	10	2

## Matches B

Match	White	Blue	Result	Time
2	Lili VIT 4 5	Julia GAWRON	10-00	0:42
4	Lili VIT 4 6	Michaela KULIKOVA	10-00	5:44
6	Julia GAWRON 5 6	Michaela KULIKOVA	00-10	1:39



## Results

Pos	Name
1	Lia LUDVIK, SLO
2	Lili VIT, HUN
3	Michaela KULIKOVA, CZE
3	Aleksandra KONOPKA, POL

# MT SNP Banska Bystrica Women+63

## Competitors A

Competitors: 8

#	Name	Grade	Club	1	2	3	4	Wins	Pts	Pos
1	Karolina MICHALKOVA	?	CZE		10			1	10	3
2	Babette WOUDENBERG	?	NED					0	0	4
3	Urszula HOFMAN	?	POL	10	10		7	3	27	1
4	Ugne PILECKAITE	?	LTU	10	10			2	20	2

## Matches A

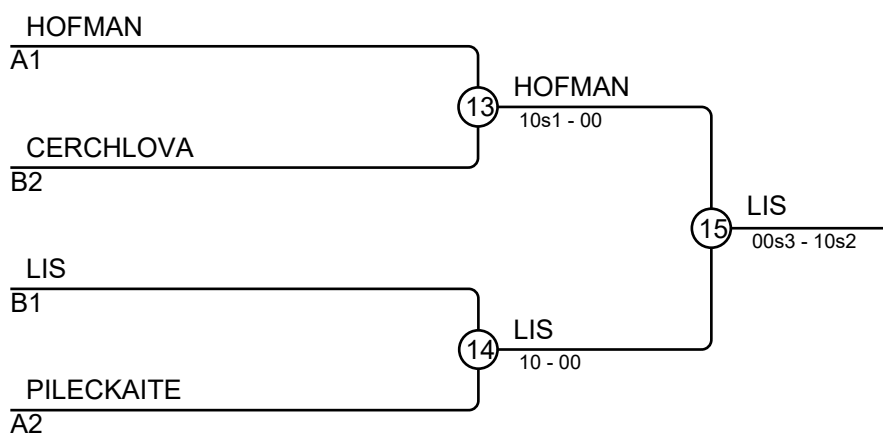
Match	White	Blue	Result	Time
1	Karolina MICHALKOVA 1 2	Babette WOUDENBERG	10-00	0:21
3	Urszula HOFMAN 3 4	Ugne PILECKAITE	01s2-00s1	5:56
5	Karolina MICHALKOVA 1 3	Urszula HOFMAN	00s1-10	3:55
7	Babette WOUDENBERG 2 4	Ugne PILECKAITE	00-10	1:23
9	Karolina MICHALKOVA 1 4	Ugne PILECKAITE	00s2-10	3:32
11	Babette WOUDENBERG 2 3	Urszula HOFMAN	00-10	1:09

## Competitors B

#	Name	Grade	Club	5	6	7	8	Wins	Pts	Pos
5	Wiktoria LIS	?	POL		10	10	7	3	27	1
6	Natalia SKVARENINOVA	?	SVK					0	0	4
7	Alexandra KOKESOVA	?	CZE		10			1	10	3
8	Marketa CERCHLOVA	?	CZE		10	10		2	20	2

## Matches B

Match	White	Blue	Result	Time
2	Wiktoria LIS 5 6	Natalia SKVARENINOVA	10-00s1	3:24
4	Alexandra KOKESOVA 7 8	Marketa CERCHLOVA	00-10	1:27
6	Wiktoria LIS 5 7	Alexandra KOKESOVA	10-00	2:39
8	Natalia SKVARENINOVA 6 8	Marketa CERCHLOVA	00-10	0:20
10	Wiktoria LIS 5 8	Marketa CERCHLOVA	01s1-00s2	6:09
12	Natalia SKVARENINOVA 6 7	Alexandra KOKESOVA	00-10	3:38



## Results

Pos	Name
1	Wiktoria LIS, POL
2	Urszula HOFMAN, POL
3	Marketa CERCHLOVA, CZE
3	Ugne PILECKAITE, LTU

# MT SNP Banska Bystrica Men-60

## Competitors A

Competitors: 7

#	Name	Grade	Club	1	2	3	4	Wins	Pts	Pos
1	Vojtech KUBALA	?	CZE		10		10	2	20	2
2	Jakub BAJTOS	?	SVK					0	0	4
3	Igor BLACZSZAK	?	POL	10	10		7	3	27	1
4	Pawel TYLEK	?	POL		7			1	7	3

## Matches A

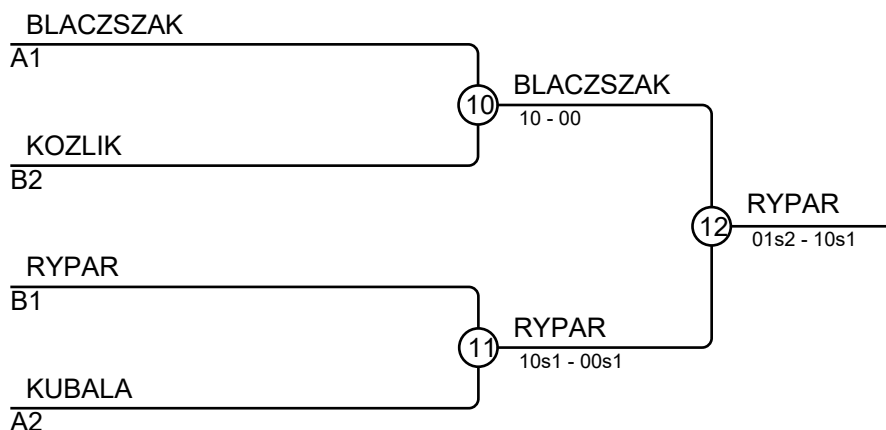
Match	White	Blue	Result	Time
1	Vojtech KUBALA 1 2	Jakub BAJTOS	11-00	1:00
2	Igor BLACZSZAK 3 4	Pawel TYLEK	01s2-00s2	4:00
4	Vojtech KUBALA 1 3	Igor BLACZSZAK	00s1-10	4:00
5	Jakub BAJTOS 2 4	Pawel TYLEK	00-01s1	5:06
7	Vojtech KUBALA 1 4	Pawel TYLEK	10s1-00s2	4:19
8	Jakub BAJTOS 2 3	Igor BLACZSZAK	00s1-11	2:46

## Competitors B

#	Name	Grade	Club	5	6	7	Wins	Pts	Pos
5	Franciszek KOZLIK	?	POL		10		1	10	2
6	Jakub KUBICKI	?	POL				0	0	3
7	Radek RYPAR	?	CZE	10	10		2	20	1

## Matches B

Match	White	Blue	Result	Time
3	Franciszek KOZLIK 5 6	Jakub KUBICKI	11-00	0:54
6	Franciszek KOZLIK 5 7	Radek RYPAR	00-10	1:34
9	Jakub KUBICKI 6 7	Radek RYPAR	01s1-11	3:44



## Results

Pos	Name
1	Radek RYPAR, CZE
2	Igor BLACZSZAK, POL
3	Franciszek KOZLIK, POL
3	Vojtech KUBALA, CZE

# International Judo Tournament SNP

Banska Bystrica (SVK), 04 Sep 2021

## -66 kg

18 Judoka

POOL A

1	POLIAK, Matej	SVK	1	POLIAK, Matej (SVK)	10 s1 / 01 s2	3:09
17	DUDORKHANOV, Khusein	NOR	17	POLIAK, Matej (SVK)	10 / 00	0:21
9			2	KLIMKIEWICZ, K. (POL)		
25	KLIMKIEWICZ, Krzysztof	POL	25	POLIAK, Matej (SVK)	10 / 00	1:56
5	RIPSATER, Isac	SWE	3	RIPSATER, Isac (SWE)		
21			18	RIPSATER, Isac (SWE)	10 / 01	1:23
13	SKURKA, Vincent	CZE	4	SKURKA, Vincent (CZE)		
29			37	POLIAK, Matej (SVK)	01 / 00 s2	4:00

POOL B

3	KAULFUS, Tomas	CZE	5	KAULFUS, Tomas (CZE)		
19			19	KAULFUS, Tomas (CZE)	10 / 00 s1	2:02
11			6	FUCHS, Pawel (POL)		
27	FUCHS, Pawel	POL	26	KAULFUS, Tomas (CZE)	10 / 00	2:07
7	CAMATTA, Kaly	AUT	7	CAMATTA, Kaly (AUT)		
23			20	LARVSEN, Bertil (DEN)	00 / 11	0:37
15			8	LARVSEN, Bertil (DEN)		
31	LARVSEN, Bertil	DEN	43	POLIAK, Matej (SVK)	01 s1 / 00	6:37

POOL C

2	GARBACIK, Bartlomiej	POL	9	GARBACIK, B. (POL)		
18			21	GARBACIK, B. (POL)	10 / 00 s3	4:34
10	WALDSBERGER, Tomas	CZE	10	WALDSBERGER, T. (CZE)		
26			27	GARBACIK, B. (POL)	10 / 00	2:49
6			11	DEMCAK, Tomas (SVK)		
22	DEMCAK, Tomas	SVK	22	MAXLIN, Miljohn (SWE)	00 s2 / 01 s2	5:23
14	MAXLIN, Miljohn	SWE	12	MAXLIN, Miljohn (SWE)		
30			38	GARBACIK, B. (POL)	10 / 00	0:18

POOL D

4	WIESINGER, Mario	AUT	13	WIESINGER, Mario (AUT)		
20			23	WIESINGER, Mario (AUT)	10 / 00	2:31
12	MALACZYNSKI, Filip	CZE	14	MALACZYNSKI, F. (CZE)		
28			28	WIESINGER, Mario (AUT)	10 / 00	1:41
8	BROVOLD, Gustav	NOR	15	BROVOLD, Gustav (NOR)	11 / 00 s1	2:19
24	JESIONEK, Jan	POL	24	BROVOLD, Gustav (NOR)	10 / 00	0:47
16	MESA, Andrej	SVK	16	MESA, Andrej (SVK)		
32						

POLIAK, Matej (SVK)

1.

### Results

Résultat / Platzierungen

1.	POLIAK, Matej	SVK
2.	GARBACIK, Bartlomiej	POL
3.	WIESINGER, Mario	AUT
3.	BROVOLD, Gustav	NOR
5.	RIPSATER, Isac	SWE
5.	KAULFUS, Tomas	CZE
7.	LARVSEN, Bertil	DEN
7.	WALDSBERGER, Tomas	CZE

Repechage / Trostrunde

[A1]	DUDORKHANOV, Khusein	NOR	29	DUDORKHANOV, K. (NOR)	01 s1 / 00	4:00	33	RIPSATER, Isac (SWE)	01 s3 / 11 s1	5:04
[A2]	KLIMKIEWICZ, Krzysztof	POL	[A3]	RIPSATER, Isac (SWE)			39	RIPSATER, Isac (SWE)	10 / 01	2:58
[B1]			30	FUCHS, Pawel (POL)			41	WIESINGER, Mario (AUT)	00 / 10	1:34
[B2]	FUCHS, Pawel	POL	[B3]	LARVSEN, Bertil (DEN)	00 s1 / 11	2:15	[38]	WIESINGER, Mario (AUT)		
[C1]			31	WALDSBERGER, T. (CZE)						
[C2]	WALDSBERGER, Tomas	CZE	[C3]	WALDSBERGER, T. (CZE)	10 / 00	2:19				
[D1]			32	MALACZYNSKI, F. (CZE)			40	BROVOLD, Gustav (NOR)	00 / 10	0:53
[D2]	MALACZYNSKI, Filip	CZE	[D3]	BROVOLD, Gustav (NOR)	00 / 10	2:36	[37]	KAULFUS, Tomas (CZE)	10 / 00 s1	1:40

3.

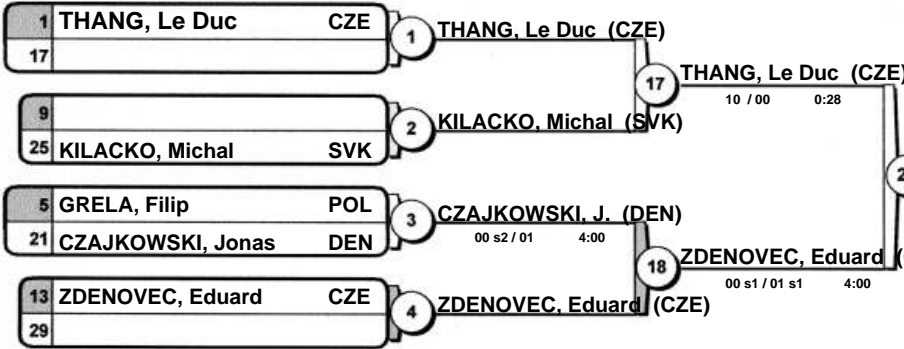
# International Judo Tournament SNP

Banska Bystrica (SVK), 04 Sep 2021

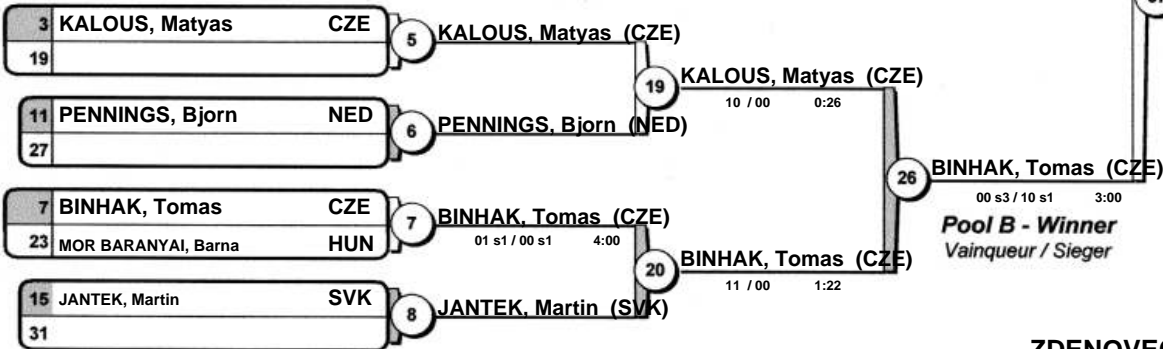
## -73 kg

19 Judoka

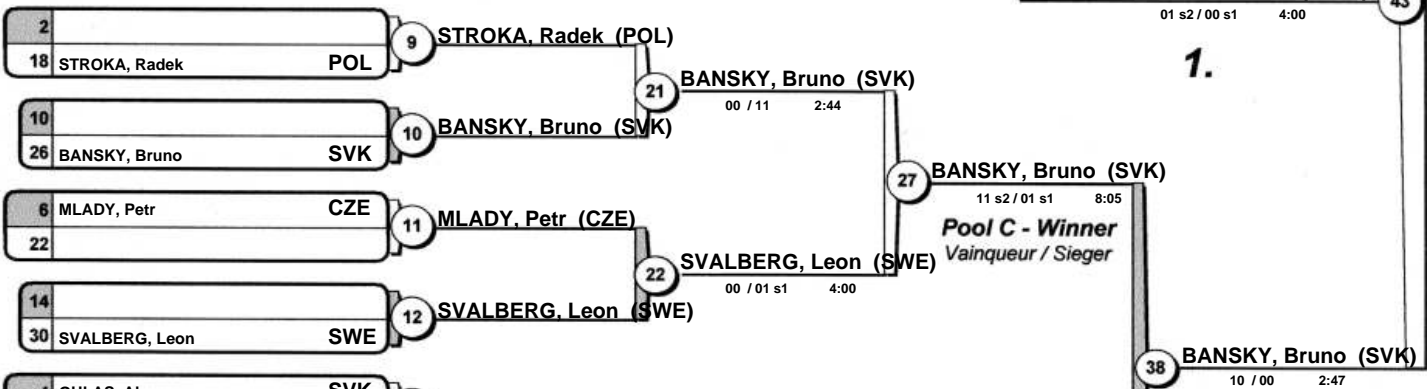
POOL A



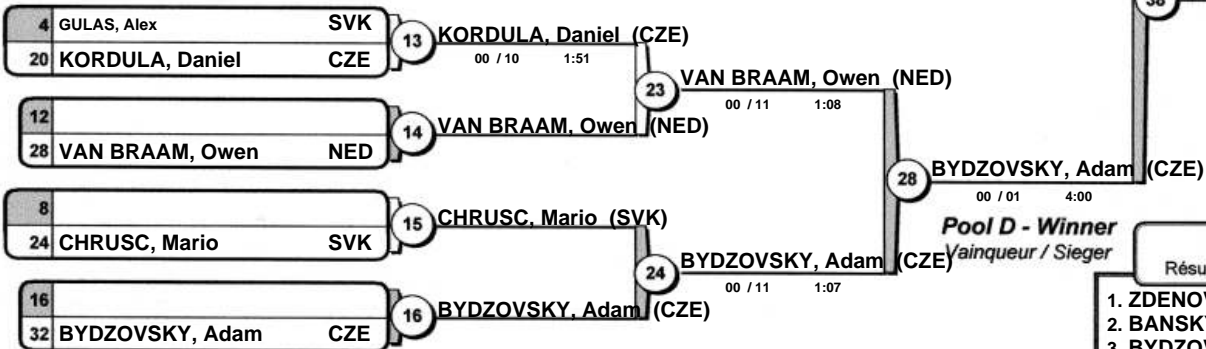
POOL B



POOL C



POOL D

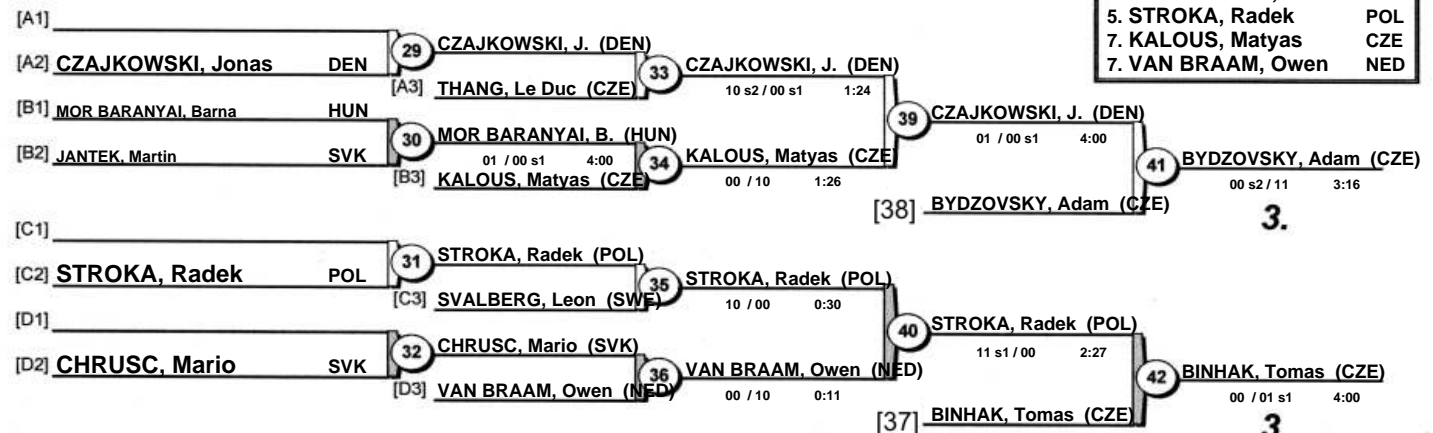


ZDENOVEC, Eduard (CZE) 43

1.

Results		
Résultat / Platzierungen		
1.	ZDENOVEC, Eduard	CZE
2.	BANSKY, Bruno	SVK
3.	BYDZOVSKY, Adam	CZE
3.	BINHAK, Tomas	CZE
5.	CZAJKOWSKI, Jonas	DEN
5.	STROKA, Radek	POL
7.	KALOUS, Matyas	CZE
7.	VAN BRAAM, Owen	NED

Repechage / Trostrunde



3.

3.

# International Judo Tournament SNP

Banska Bystrica (SVK), 04 Sep 2021

## -81 kg

24 Judoka

POOL A

1	SVEC, Pavel	CZE	1	SVEC, Pavel (CZE)
17	OUERFELLI, Kerim	POL		10 s1 / 00 2:17
9			2	SKULTETY, Denis (SVK)
25	SKULTETY, Denis	SVK		10 / 00 s1 2:08
5	EDLUND, Markus	SWE	3	EDLUND, Markus (SWE)
21	GALIN, Maxim	CZE		10 s2 / 00 s2 2:48
13			4	PLATOS, Karel (CZE)
29	PLATOS, Karel	CZE		10 / 00 s2 1:55

25 EDLUND, Markus (SWE)  
00 s1 / 10 2:23  
**Pool A - Winner**  
Vainqueur / Sieger

POOL B

3	MROWCZYNSKI, Wiktor	POL	5	MROWCZYNSKI, W. (POL)
19	FRIIS HANSEN, Kalle	DEN		10 / 00 s1 4:54
11	TROJNAR, Robert	CZE	6	TROJNAR, Robert (CZE)
27				10 / 00 1:56
7	DEMETER, Bendeguz	HUN	7	BECIK, Martin (SVK)
23	BECIK, Martin	SVK		00 / 10 1:20
15			8	SOJKA, Alexandr (CZE)
31	SOJKA, Alexandr	CZE		01 / 00 s2 4:00

26 MROWCZYNSKI, W. (POL)  
10 / 00 0:38  
**Pool B - Winner**  
Vainqueur / Sieger

POOL C

2	KLOPAN, Matus	SVK	9	KLOPAN, Matus (SVK)
18				00 / 10 4:20
10	WLOKA, Marcin	POL	10	PINTERA, Daniel (CZE)
26	PINTERA, Daniel	CZE		00 / 10 2:17
6	LENCEŠ, Adam	SVK	11	MLADEN, Nemanja (SLO)
22	MLADEN, Nemanja	SLO		00 s2 / 10 s1 5:47
14	MESKO, Mikulas	CZE	12	MESKO, Mikulas (CZE)
30				00 / 10 0:31

27 MESKO, Mikulas (CZE)  
00 s1 / 10 s2 1:45  
**Pool C - Winner**  
Vainqueur / Sieger

POOL D

4	HANSEN, Jeffrey	NED	13	POHORALY, Jakub (CZE)
20	POHORALY, Jakub	CZE		00 / 10 s1 3:25
12	MARUSKA, Alex	SVK	14	MARUSKA, Alex (SVK)
28				00 s2 / 11 s1 2:10
8	SZWARNOWIECKI, Damian	POL	15	SZWARNOWIECKI, D. (POL)
24	PECENKA, Lukas	CZE		10 / 00 1:18
16			16	KANIK, Wojtek (AUT)
32	KANIK, Wojtek	AUT		10 s1 / 00 s1 3:32

28 SZWARNOWIECKI, D. (POL)  
00 s2 / 10 s1 2:56  
**Pool D - Winner**  
Vainqueur / Sieger

37 MROWCZYNSKI, W. (POL)  
00 / 11 1:26

43 MROWCZYNSKI, W. (POL)  
10 / 00 1:18

38 MESKO, Mikulas (CZE)  
10 s1 / 00 4:12

Results	
Résultat / Platzierungen	
1.	MROWCZYNSKI, Wiktor POL
2.	MESKO, Mikulas CZE
3.	SZWARNOWIECKI, Damian POL
4.	EDLUND, Markus SWE
5.	TROJNAR, Robert CZE
6.	PINTERA, Daniel CZE
7.	GALIN, Maxim CZE
8.	MARUSKA, Alex SVK

Repechage / Trostrunde

[A1]	GALIN, Maxim	CZE	29	GALIN, Maxim (CZE)
[A2]	PLATOS, Karel	CZE		10 / 00 0:54
[A3]	SVEC, Pavel	CZE	33	GALIN, Maxim (CZE)
[B1]	FRIIS HANSEN, Kalle	DEN		10 / 00 0:21
[B2]	TROJNAR, Robert	CZE	30	TROJNAR, Robert (CZE)
[B3]	BECIK, Martin	SVK		00 s2 / 01 s2 4:00
[C1]			31	MLADEN, Nemanja (SLO)
[C2]	MLADEN, Nemanja	SLO		10 / 01 1:39
[C3]	PINTERA, Daniel	CZE	35	PINTERA, Daniel (CZE)
[D1]	PECENKA, Lukas	CZE		00 s2 / 10 s1 3:17
[D2]	KANIK, Wojtek	AUT	32	PECENKA, Lukas (CZE)
[D3]	MARUSKA, Alex	SVK		10 s2 / 00 sH 4:30
			36	MARUSKA, Alex (SVK)
				00 / 01 s1 4:00

39 TROJNAR, Robert (CZE)  
00 / 10 0:31

41 SZWARNOWIECKI, D. (POL)  
00 / 10 0:41

38 SZWARNOWIECKI, D. (POL) **3.**

40 PINTERA, Daniel (CZE)

42 EDLUND, Markus (SWE)  
00 s2 / 10 4:00

37 EDLUND, Markus (SWE) **3.**



# International Judo Tournament SNP

Banska Bystrica (SVK), 04 Sep 2021

## -90 kg

15 Judoka

POOL A

1	KOTWICKI, Cezary	POL	1	KOTWICKI, Cezary (POL)	01 / 00 s1	4:00
9	BERTALANIC, Zizek	SLO				
5	DAAMEN, Joost	NED	2	DAAMEN, Joost (NED)	10 s2 / 00	3:46
13	SKURKA, Simon	CZE				

9 DAAMEN, Joost (NED)  
00 / 10 1:29  
**Pool A - Winner**  
Vainqueur / Sieger

POOL B

3	MAJCHER, Norbert	POL	3	MAJCHER, Norbert (POL)	10 / 00 s2	5:29
11	KNAPEK, Radim	CZE				
7	MATTSSON, Olle	SWE	4	MATTSSON, Olle (SWE)	10 / 00	1:38
15	GABOR, Stefan	SVK				

10 MATTSSON, Olle (SWE)  
00 s1 / 01 4:00  
**Pool B - Winner**  
Vainqueur / Sieger

POOL C

2	URBAN, Pavel	CZE	5	URBAN, Pavel (CZE)	10 / 00	2:47
10	RET, Samuel	SVK				
6	MARCINKIEWICZ, Sebastian	POL	6	MARCINKIEWICZ, S. (POL)		
14						

11 MARCINKIEWICZ, S. (POL)  
00 / 11 1:20  
**Pool C - Winner**  
Vainqueur / Sieger

POOL D

4	DURGE, Mike	NED	7	RANDL, Richard (SVK)	00 s1 / 01 s2	4:00
12	RANDL, Richard	SVK				
8	EILERTSEN, Kornelius	NOR	8	EILERTSEN, K. (NOR)	10 / 00	1:22
16	KARKOTKA, Michal	POL				

12 EILERTSEN, K. (NOR)  
00 / 10 0:35  
**Pool D - Winner**  
Vainqueur / Sieger

MARCINKIEWICZ, S. (POL) 23  
00 s1 / 10 1:57

1.

18 MARCINKIEWICZ, S. (POL)  
10 / 00 s1 1:12

### Results

Résultat / Platzierungen

1.	MARCINKIEWICZ, Sebastian	POL
2.	MATTSSON, Olle	SWE
3.	EILERTSEN, Kornelius	NOR
3.	URBAN, Pavel	CZE
5.	MAJCHER, Norbert	POL
5.	DAAMEN, Joost	NED
7.	SKURKA, Simon	CZE
7.	KARKOTKA, Michal	POL

Repechage / Trostrunde

[A1]	SKURKA, Simon	CZE	13	SKURKA, Simon (CZE)	10 / 00	1:52
[A2]	KOTWICKI, Cezary	POL				
[B1]	GABOR, Stefan	SVK	14	MAJCHER, Norbert (POL)	00 / 10	1:05
[B2]	MAJCHER, Norbert	POL				
[C1]			15	URBAN, Pavel (CZE)		
[C2]	URBAN, Pavel	CZE				
[D1]	KARKOTKA, Michal	POL	16	KARKOTKA, Michal (POL)	10 / 00	0:00
[D2]	RANDL, Richard	SVK				

19 MAJCHER, Norbert (POL)  
00 / 10 0:48

21 EILERTSEN, K. (NOR)  
00 / 10 1:23

20 URBAN, Pavel (CZE)  
10 / 00 1:01

22 URBAN, Pavel (CZE)  
11 / 00 s1 2:50

[17] DAAMEN, Joost (NED)

3.

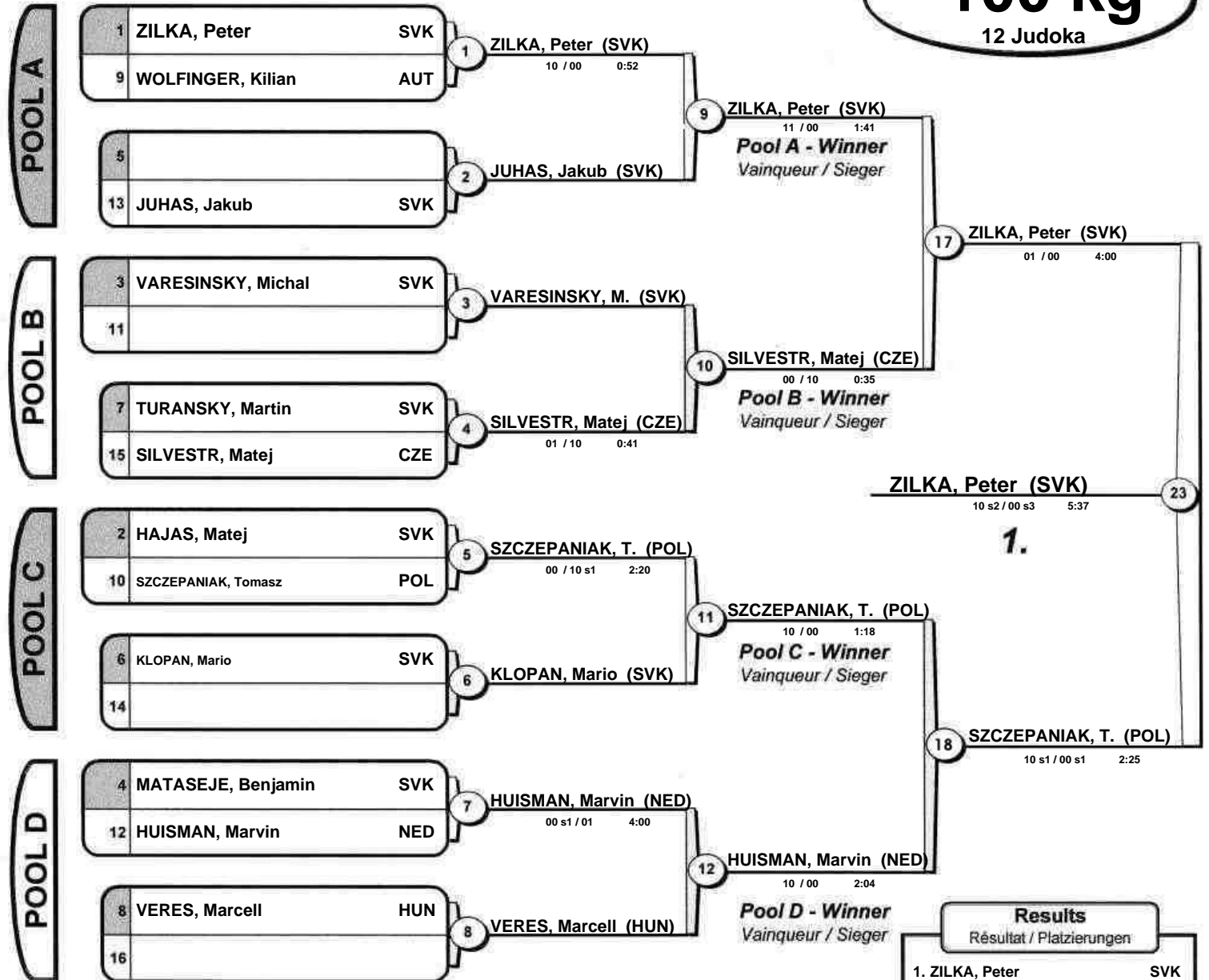
3.

# International Judo Tournament SNP

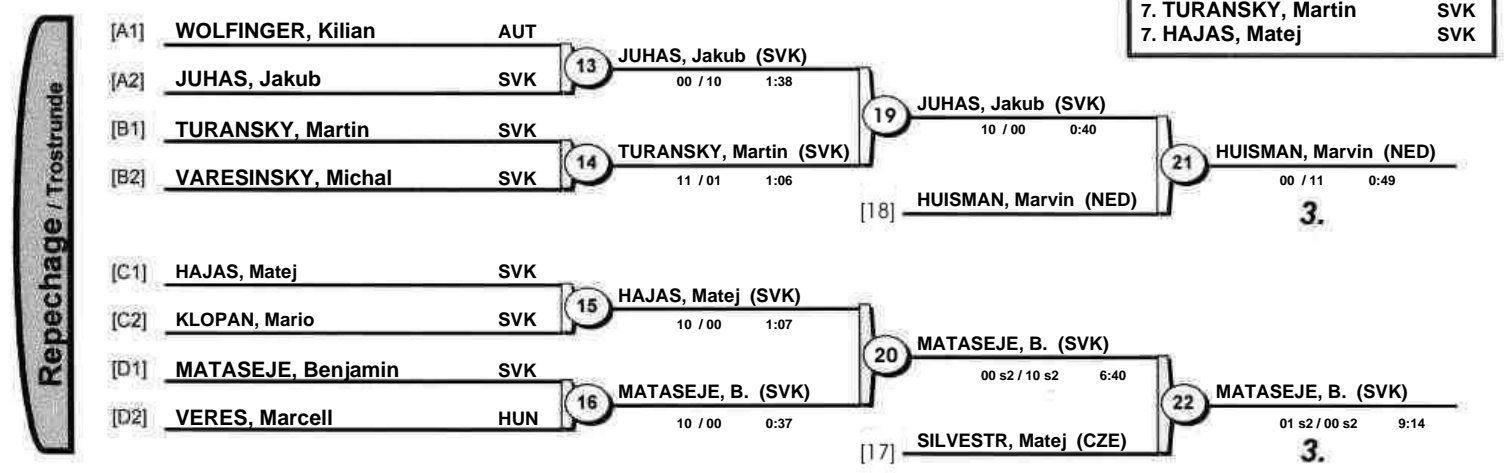
Banska Bystrica (SVK), 04 Sep 2021

## -100 kg

12 Judoka



Results		
Résultat / Platzierungen		
1.	ZILKA, Peter	SVK
2.	SZCZEPANIAK, Tomasz	POL
3.	HUISMAN, Marvin	NED
3.	MATASEJE, Benjamin	SVK
5.	JUHAS, Jakub	SVK
5.	SILVESTR, Matej	CZE
7.	TURANSKY, Martin	SVK
7.	HAJAS, Matej	SVK



# MT SNP Banska Bystrica Men+100

## Competitors A

Competitors: 7

#	Name	Grade	Club	1	2	3	4	Wins	Pts	Pos
1	Bartosz SAWINIEC	?	POL				10	1	10	3
2	Enej MARINIC	?	SLO	10		10	10	3	30	1
3	Emil MATTSON	?	SWE	10			10	2	20	2
4	Adam MJARTAN	?	SVK					0	0	4

## Matches A

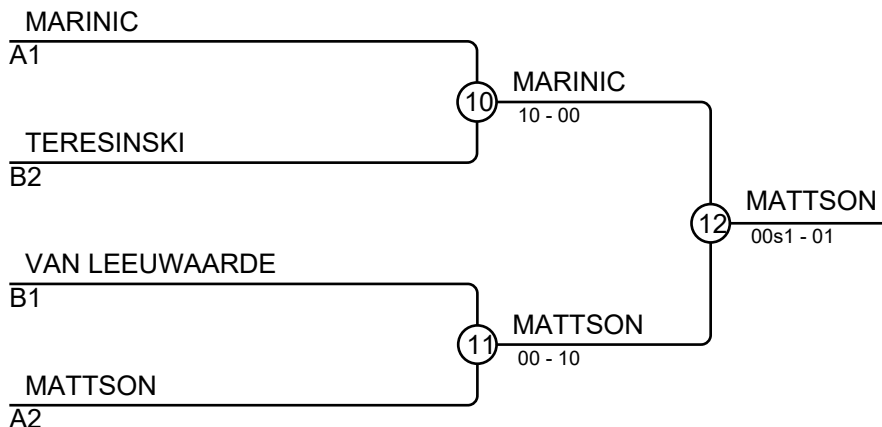
Match	White	Grade	Blue	Result	Time
1	Bartosz SAWINIEC	1 2	Enej MARINIC	00-10s1	1:58
2	Emil MATTSON	3 4	Adam MJARTAN	10-00	1:31
4	Bartosz SAWINIEC	1 3	Emil MATTSON	01-10	3:13
5	Enej MARINIC	2 4	Adam MJARTAN	10-00s1	1:15
7	Bartosz SAWINIEC	1 4	Adam MJARTAN	10-00	0:37
8	Enej MARINIC	2 3	Emil MATTSON	10-00	0:45

## Competitors B

#	Name	Grade	Club	5	6	7	Wins	Pts	Pos
5	Vaclav JASEK	?	CZE				0	0	3
6	Benjamin VAN LEEUWAARDE	?	NED	10		7	2	17	1
7	Grzegor TERESINSKI	?	POL	10			1	10	2

## Matches B

Match	White	Grade	Blue	Result	Time
3	Vaclav JASEK	5 6	Benjamin VAN LEEUWAARDE	00-10s1	1:49
6	Vaclav JASEK	5 7	Grzegor TERESINSKI	01-10	1:10
9	Benjamin VAN LEEUWAARDE	6 7	Grzegor TERESINSKI	01s2-00	4:00



## Results

Pos	Name
1	Emil MATTSON, SWE
2	Enej MARINIC, SLO
3	Grzegor TERESINSKI, POL
3	Benjamin VAN LEEUWAARDE, NED